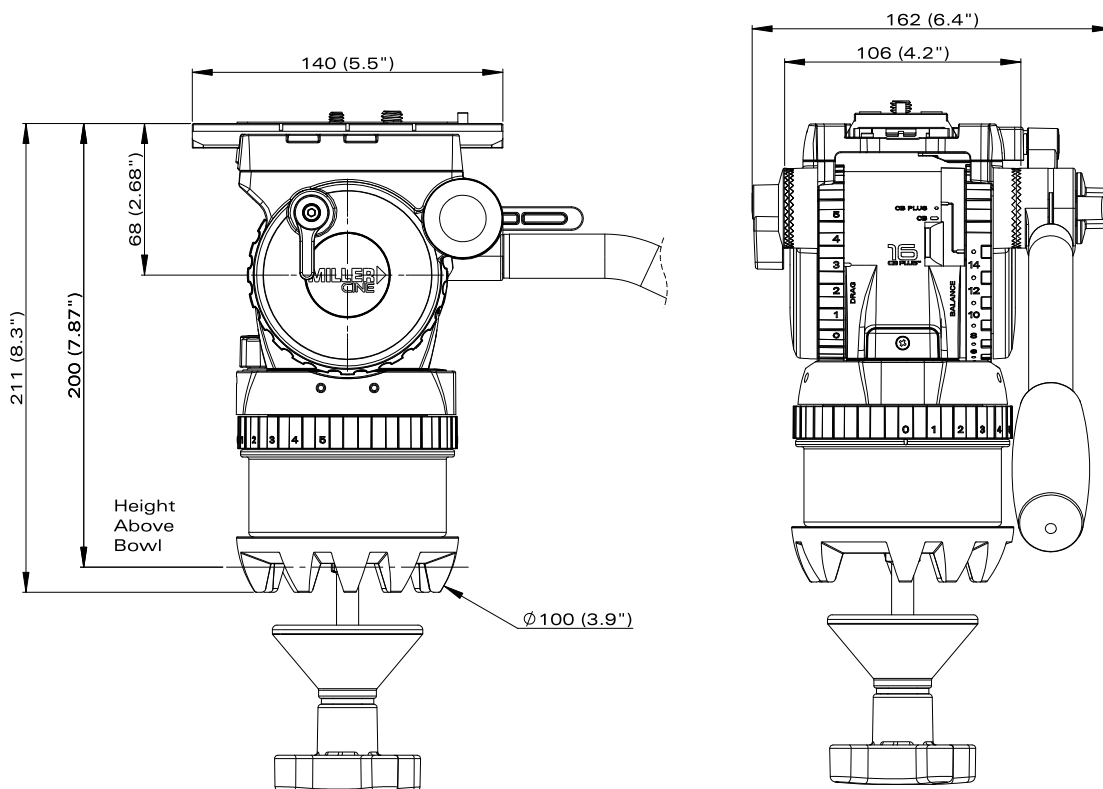




FEATURES

- For on the go creative professionals needing an all-rounder and affordable solution with uncompromised performance.
- 5 selectable of fluid pan-tilt drag positions + 0.
- 16 CB PLUS selectable counterbalance positions 15+0
- Perfect for payloads to 0-14 kg (0-30.8 lbs).
- Fluid drag system with smooth start and soft stop technology & balanced diagonal transition.
- Side loading base plate with Versa camera plate 100mm of balance travel.
- #1290 Ø100 claw ball level std. or optional #1288 Ø75 claw ball level, #1295 Ø150 claw ball level & #1225 Mitchell base adaptor.
- Removable claw ball level for flat base mounting (sliders) with 3/8" screw hole.
- Interchangeable Miller/Versa camera platforms.
- Ergonomically located CB Plus™ control switch.
- Positive selection radial ring drag controls.
- Illuminated "bullseye" bubble level.
- Precise floating pan-tilt calliper locks ensure bounce free on-off performance.
- Side mounting points for viewfinders and optional accessories.
- Optional second pan handle mount.
- 3 year warranty.

Compact, light, versatile and adaptable performer



1124 CINX 25 FLUID HEAD

Weight:	2.9 kg (6.4 lbs)
Payload Range:	0 - 14 kg (0 - 30.8 lbs)
Pan/tilt drag:	5 selectable fluid drag positions + 0
Counterbalance:	16 CB PLUS selectable counterbalance positions 15+0
Pan/Tilt lock:	Positive lock caliper brake system
Tilt range:	+ 90° / -75°
Pan range:	360°
Camera Platform:	Quick release, side load Versa camera plate
Sliding range:	100 mm (3.9")
Mounting base:	Ø100 mm (3.9") claw ball level
Height above bowl:	200 mm (7.9")
Illumination:	Bulls eye bubble level
Pan handle:	Fixed 390 mm (15.4")
Temperature range:	-40° to +65° C (-40° to +149° F)
Warranty:	3 Years

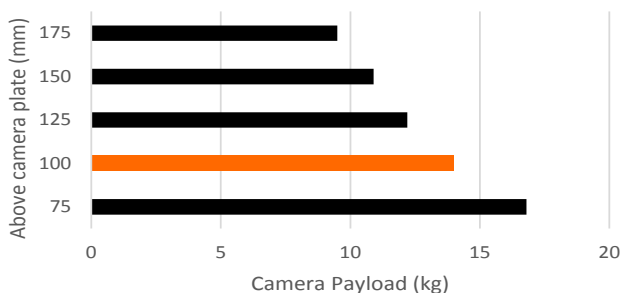
OPTIONAL ACCESSORIES

696	Pan handle - telescopic with clamp
679	Pan handle - std with clamp
1201	Versa camera plate
1205	Miller camera plate
1222	Arri accessory mounting block
1225	Mitchell base adaptor
1236	Serrated hand clamp extension (Ø36 Arri)
1238	Serrated hand clamp extension (Miller)
1248	Ø15 Sleeve adaptor to suit Ø15 small rig rods
1255	Accessory mounting block kit
1270	Accessory mounting block kit Arri
1276	Miller camera platform SL w #1205 Miller camera plate
1278	Versa camera platform SL w #1201 Versa camera plate
1288	Ø75 Claw ball level
1290	Ø100 Claw ball level
1295	Ø150 Claw ball level

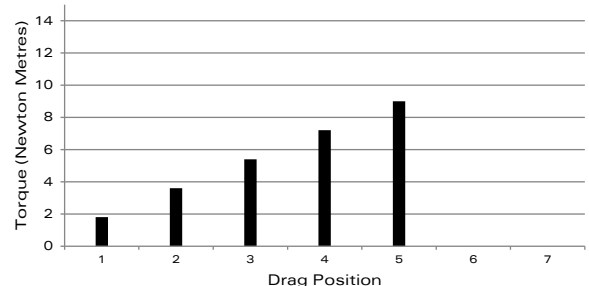
SPARES

PN14222	1/4" camera screw (long)
PN14223	3/8" camera screw (long)
PN14224	3/8" camera screw to 1/4" pin

Payload Range



Drag Torque



Quality
ISO 9001
SAI GLOBAL
Australia only

AUSTRALIA

Miller Camera Support Equipment
6 Ross Place
Wetherill Park, Sydney, NSW 2164
Australia

P +61 2 9439 6377
sales.au@millertripods.com.au

EUROPE

Miller Fluid Heads (Europe) Ltd.
Unit 12A, Shepperton Business Park
Govett Avenue, Shepperton
Middlesex, TW17 8BA
United Kingdom

P +44 (0) 1932 222 888
sales.eu@millertripods.com

USA

Miller Camera Support LLC
216 Little Falls Road (Unit 2),
Cedar Grove, New Jersey 07009
USA

P +1 (973) 857 8300 F +1 (973) 857 8188
sales.us@millertripods.com