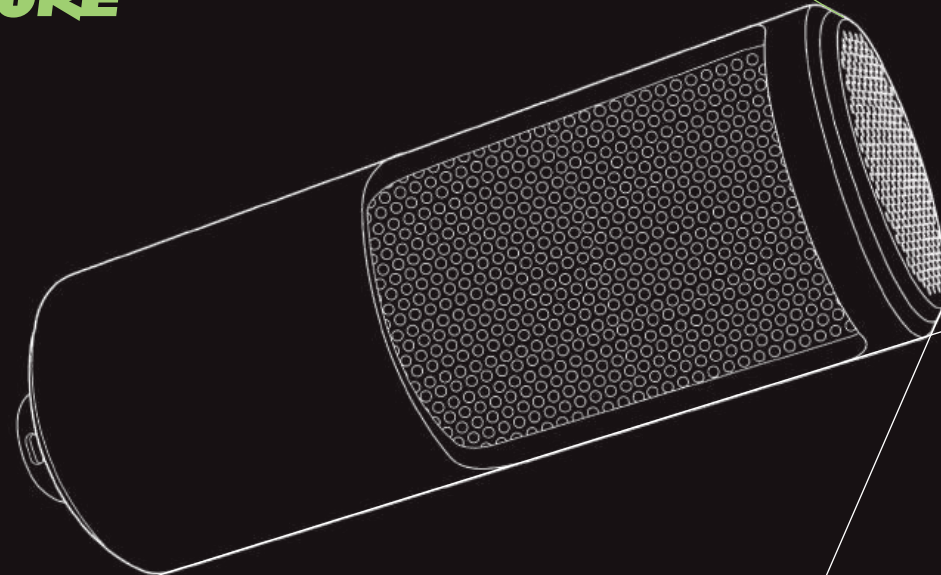


Scan the QR code for more information or find the online user guide at shure.com.



27A56417
(Rev. 2)
Printed in China

SHURE



SM4 CONDENSER MICROPHONE
FOR HOME AND PROFESSIONAL RECORDING
QUICK START GUIDE



**United States, Canada,
Latin America, Caribbean:**
Shure Incorporated
5800 West Touhy Avenue
Niles, IL 60714-4608 USA
Phone: 847-600-2000
Fax: 847-600-1212 (USA)
Fax: 847-600-6446
Email: info@shure.com

Europe, Middle East, Africa:
Shure Europe GmbH - EU Importer
Jakob-Dieffenbacher - St. 12,
75031 Eppingen, Germany
Phone: +49-7262-92490
Fax: +49-7262-9249114
Email: info@shure.de

Shure UK Limited - UK Importer
Unit 2, The IO Centre, Lea Road,
Waltham Abbey, Essex, EN9 1AS, UK

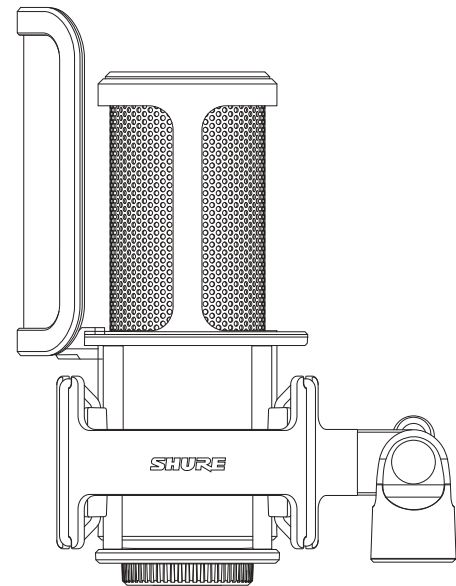
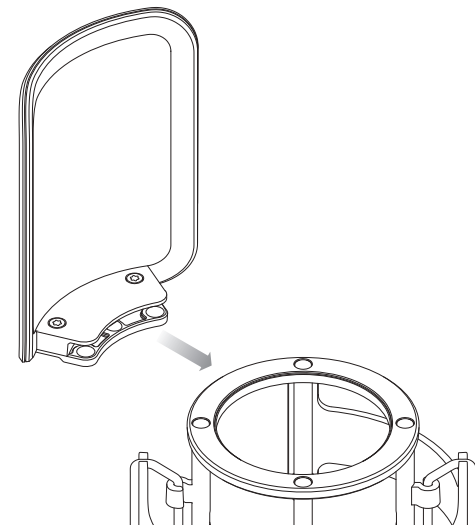
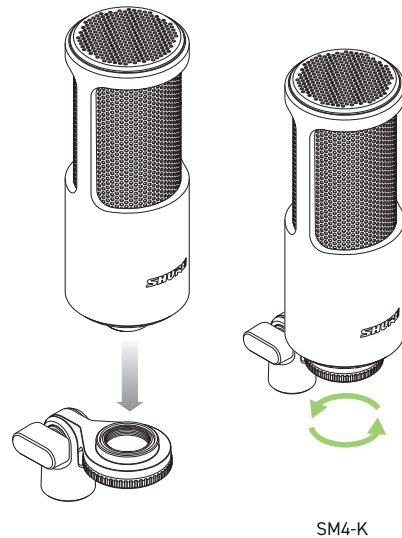
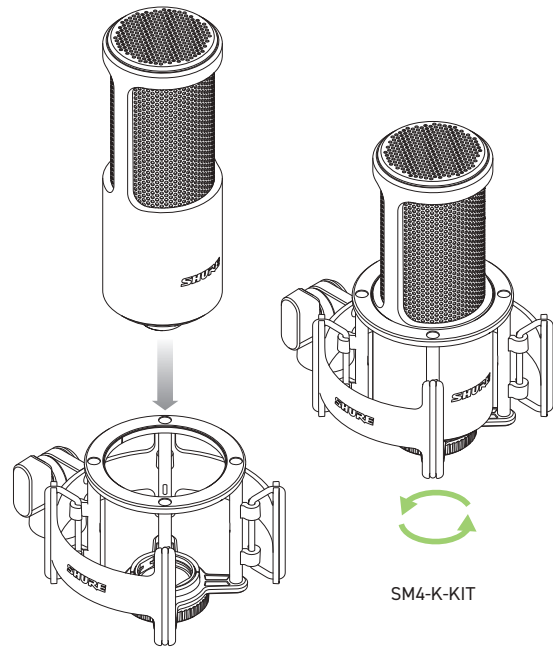
Asia, Pacific:
Shure Asia Limited
10/F & Unit 1103-05 11/F
FOYER
625 King's Road
North Point
Hong Kong

Phone: 852-2893-4290
Fax: 852-2893-4055
Email: info@shure.com.hk

©2024 Shure Incorporated.
SHURE and the SHURE logotype are registered trademarks of Shure Incorporated or Shure Acquisition Holdings, Inc. For additional information, see shure.com/trademarks.
Patents: shure.com/patents

ASSEMBLE THE MOUNT

Secure the microphone in the included mount and twist the ring at the bottom to tighten.



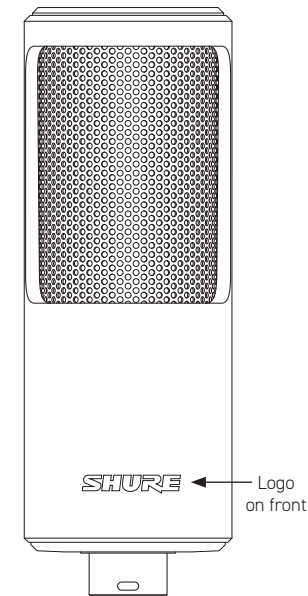
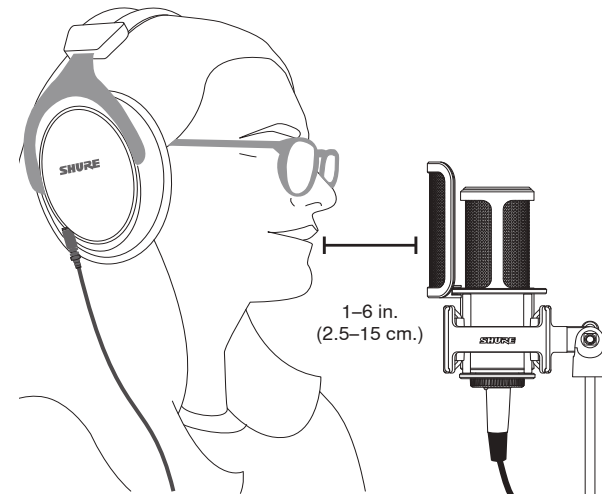
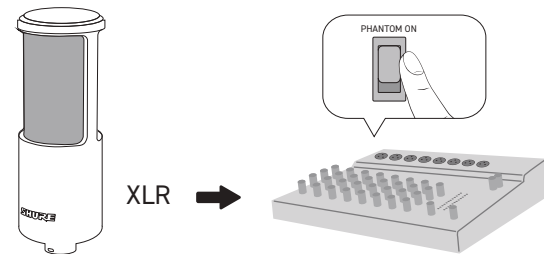
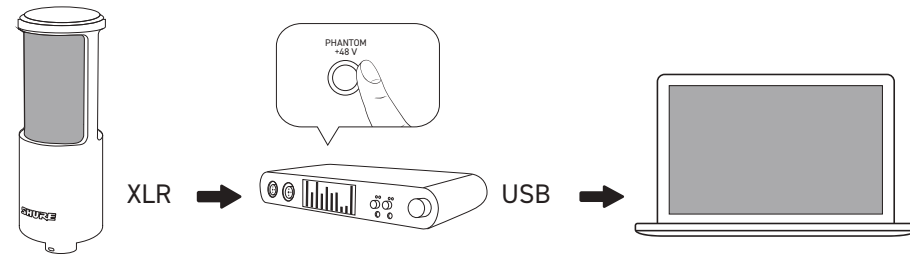
ADD POP FILTER

When recording vocals, attach the magnetic pop filter to prevent plosive sounds.*

**Available with the SM4-K-KIT.*

CONNECT WITH XLR

Use XLR cable to connect the mic to an audio interface or mixer and activate +48 V phantom power.



POSITION THE MIC

Attach the mic to a stand and face the logo on the front of the mic toward your sound source.

SPECIFICATIONS

TYPE	Condenser (externally biased)
POLAR PATTERN	Cardioid
FREQUENCY RESPONSE	20 to 20,000 Hz
OUTPUT IMPEDANCE <i>at 1 kHz, open circuit voltage</i>	150 Ω
SENSITIVITY <i>at 1 kHz, open circuit voltage</i>	-38 dBV/Pa ¹ (17.8 mV)
MAXIMUM SPL <i>1 kHz at 1% THD, 1 kΩ load</i>	140 dB SPL
POLARITY	Positive pressure on diaphragm produces positive voltage on pin 2 with respect to pin 3
CONNECTOR	Three-pin professional audio (XLR), male
WEIGHT	463 g (1.02 lbs)
HOUSING	Die Cast Zinc
POWER REQUIREMENTS	48 V DC phantom power (5.2 mA)
	[1] 1 Pa=94 dB SPL

