

NANLUX

Evolve 5C LED Full-color Spot Light

USER MANUAL

Version: V1.1
2026-03-16

Revision History

Version	Date (Y-M-D)	Note
V1.0	2025-12-04	File First Publish
V1.1	2026-03-16	Minor adjustments

Contents

1. Introduction	1
2. Product Overview	2
2.1. Product Layout	2
2.2. Specifications	3
2.3. Includes	4
3. Safety Instructions	5
4. Installing Instructions	8
4.1. Installing via 1/4" -20 Mount	8
4.2. Installing the Magnetic Diffuser	8
4.3. Installing the Magnetic Thermal Shield	9
4.4. Installing and Detaching the Magnetic Yoke	9
4.5. Installing and Detaching the Magnetic Battery Grip	10
4.6. Installing the Magnetic Fresnel Lens	11
4.7. Magnetic Fresnel Lens Usage	11
5. Operating Instructions	12
5.1. Turning On/Off	12
5.2. Lighting Mode Control	12
5.2.1. Control Panel Control	12
5.2.2. DMX Control	13
5.2.3. NANLINK APP Control-via Bluetooth	15
5.2.4. CRMX Control	15
5.3. Menu	17
5.3.1. Menu Overview	17
5.3.2. Menu Operation	19
5.3.3. Others	19
5.4. Charging Instructions	20
5.5. NFC Function	20
6. Troubleshooting for Common Issues	20

1. Introduction

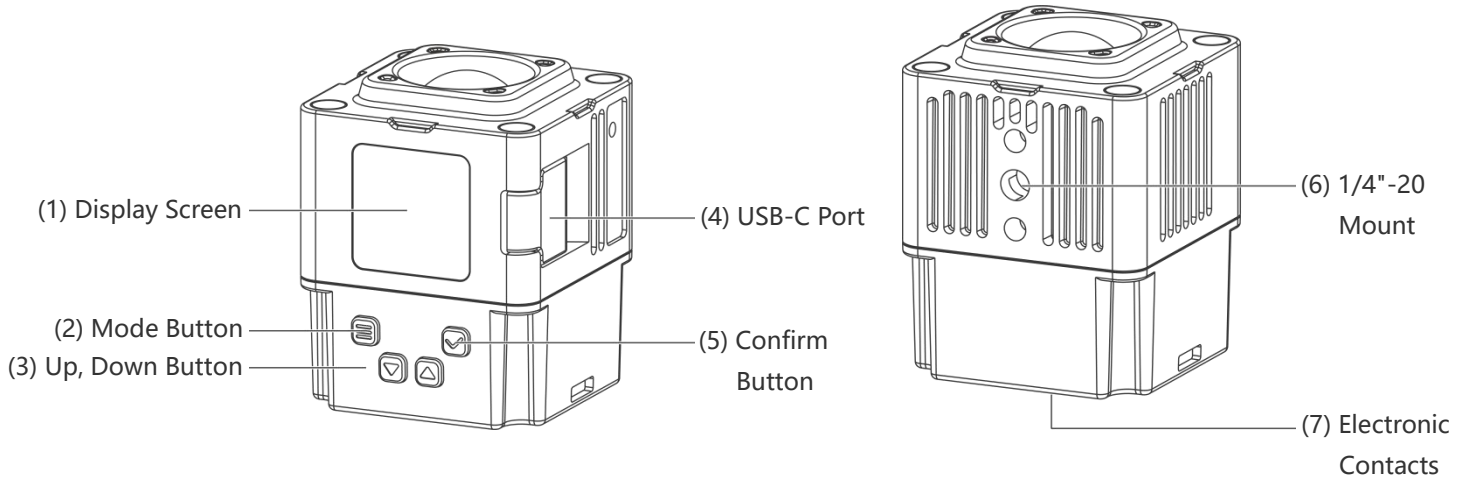
Thank you for purchasing the Nanlux product – Evoke 5C!

The Evoke 5C is an ultra compact and portable full-color LED spotlight, making it a versatile partner for film production, commercial shoots, still life photography, and more. Equipped with the Nebula C8 Light Engine, it delivers a broader spectral performance and offers ultra-wide color temperature adjustment from 1000K to 20000K, along with precise ± 200 green/magenta control. With 15 built-in special effects, it brings distinctive visual styles and ambient moods to creations. It can be powered by an internal lithium battery, a charger, or a battery grip to meet the demands of continuous shooting. It supports multiple control methods including on-board, Nanlink App, DMX/RDM, and CRMX. And it's compatible with a wide range of accessories, enabling creators to adapt to diverse shooting scenarios.

The Evoke 5C will bring great convenience to your creation and inspire boundless creativity. Before using Evoke 5C, please read this manual carefully to ensure you can fully utilize all the features. Hope it can work with you to create more brilliant results together.

2. Product Overview

2.1. Product Layout



(1) Display Screen: For displaying the lighting status and settings.

(2) Mode Button: For switching to the Mode interface or return to the previous menu.

(3) Up, Down Button: For adjusting options or values. These buttons support both short and long presses.

(4) USB-C Port: For connecting power, firmware updates, connecting a DMX adapter cable for DMX control.

(5) Confirm Button: For selecting option, deselecting option, and entering the next menu.

(6) 1/4"-20 Mount: For mounting the fixture on a light stand, or on a ball head.

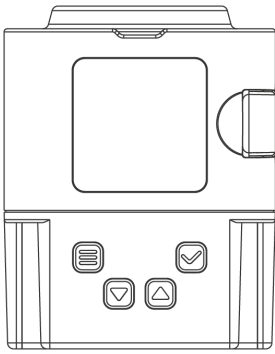

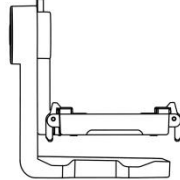

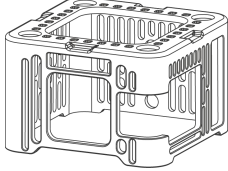
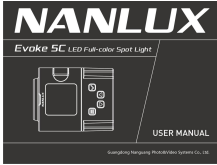

(7) Electronic Contacts: For charging the fixture in the 8kit case, or identifying accessories.

2.2. Specifications

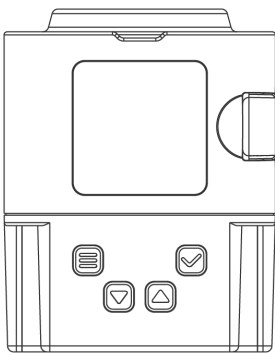



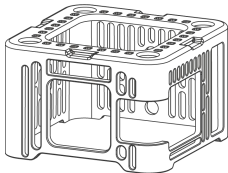

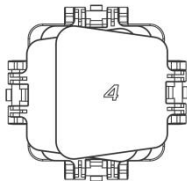
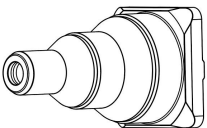
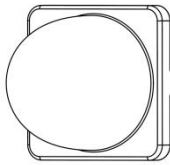
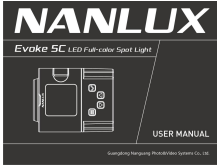

Model Name	Evoke 5C
Rated Power	6W
Input Voltage/Current	DC: 5V/2A
LED Light Engine	Nebula C8 Light Engine: dRRALGCBI
CCT	1000K → 2000K (G/M±200)
CRI	Average 98
TLCI	Average 98
TM-30 Rf	Average 96
TM-30 Rg	Average 100
Dimming	0%-100%, by 1% increment
IP Rating	IP67
Control	On-board, NANLINK APP, DMX/RDM, CRMX
Special Effects	CCT Loop, INT Loop, HUE Loop, Flash, Pulse, Storm, Police Car, TV, Paparazzi, Candle/Fire, Disco, Bad Bulb, Firework, Explosion and Welding

2.3. Includes

Standard Kit:

Evoked 5C × 1	USB-C Cable × 1	YK-EV5C Magnetic Yoke × 1	AS-MD-EV5C Magnetic Diffuser × 1
			
	AS-MTS-EV5C Magnetic Thermal Shield × 1	User Manual × 1	Carrying Bag × 1
			

Evoked 5C KIT:

Evoked 5C × 1	USB-C Cable × 1	FL-5 Magnetic Fresnel Lens × 1	BT-BG-EV5C Magnetic Battery Grip × 1
			
	AS-MTS-EV5C Magnetic Thermal Shield × 1	AS-MD-EV5C Magnetic Diffuser × 1	BD-EV5C Magnetic Barndoor × 1
			
AS-MS-EV5C Magnetic Snoot × 1	AS-MSD-EV5C Magnetic Soft Dome × 1	User Manual × 1	Carrying Bag × 1
			

3. Safety Instructions

Please read and understand all safety instructions before installing or operating the fixture. Always follow the instructions to avoid personal injury and fixture damage. Retain all safety and operating instructions for future reference.

Electrical:



Danger

Please disconnect the power before moving or transporting the fixture.



Caution

Please use proper and undamaged USB-C cable to connect the fixture correctly, avoiding the risk of electric shock or fixture damage.

Installation:



Danger

Please carefully read the manual and follow the instructions to install the fixture to avoid any unnecessary incidents.



Caution

Please wear appropriate protective gloves when installing or removing the fixture or accessory with high-temperature surfaces.

Operation:



Danger

Please stop using the fixture immediately if the fixture housings or cables show visible damage.



Danger

Please do not use the fixture near flammable or explosive materials.



Danger

Please be cautious, as the flashing effect may trigger seizures.

**Danger**

The Evoke 5C is rated IP67, providing complete protection against dust and resistance to water jets from all directions or prolonged exposure to heavy rain. Please do not immerse the fixture in water deeper than 1 meter or for longer than 30 minutes, to avoid personal injury or fixture damage.

**Danger**

Please keep the fixture away from corrosive liquids or high-pressure steam.

**Caution**

Please ensure the fixture is used in an environment between -20°C and 40°C; operating outside this temperature range may damage the fixture.

**Caution**

Please do not look directly at the light source without wearing protective glasses, as this may cause irreversible eye injury.

**Caution**

Please remind the crew to avoid eye injury caused by accidentally looking directly at the light source before the fixture lights up.

Maintenance:**Danger**

Please do not disassemble or repair any part of the fixture on your own, as this will void the warranty. Maintenance and repair work should be carried out by an authorized service center and professional personnel.

**Danger**

Please disconnect the power before starting any maintenance work.

**Caution**

Please ensure the fixture is completely dry before transportation or storage after using it in a humid environment.

**Notice**

Please ensure the fixture is stored away from the following environments or items: extreme temperatures, direct sunlight, high humidity, intense vibrations, dust, strong magnetic fields, and flammable or explosive materials.

**Notice**

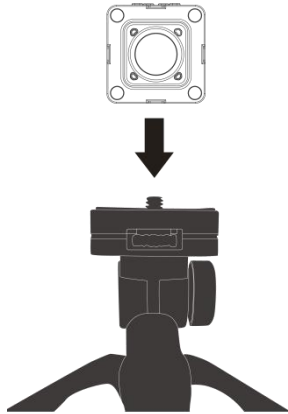
Please transport the fixture and accessories in suitable case to avoid damage.

4. Installing Instructions

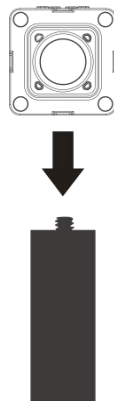
4.1. Installing via 1/4"-20 Mount

The fixture can be installed on a tripod, light stand, or ball head via its 1/4"-20 mount.

▲Note: The tripod, light stand, and ball head are sold separately.



Tripod



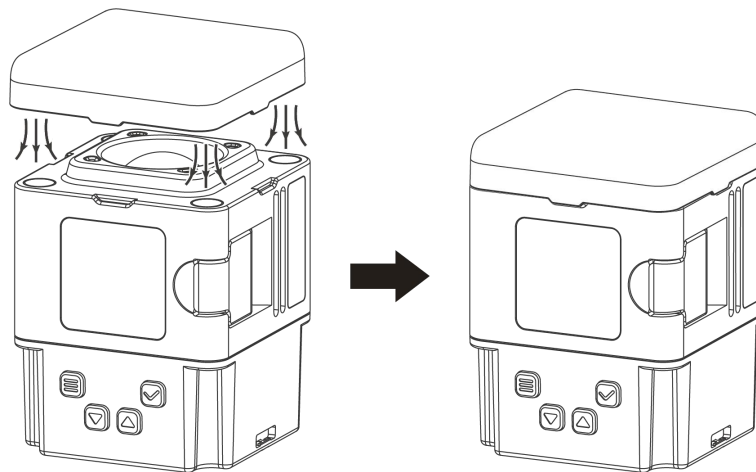
Light Stand



Ball Head

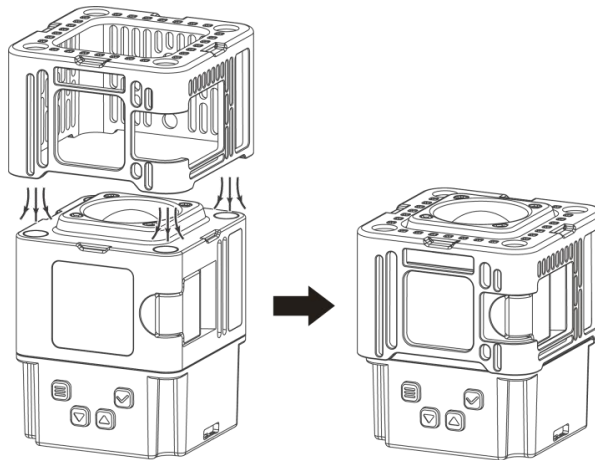
4.2. Installing the Magnetic Diffuser

Align the magnetic diffuser with the emitting surface of the fixture, bring it close to the fixture, and it will attach to complete the installation.



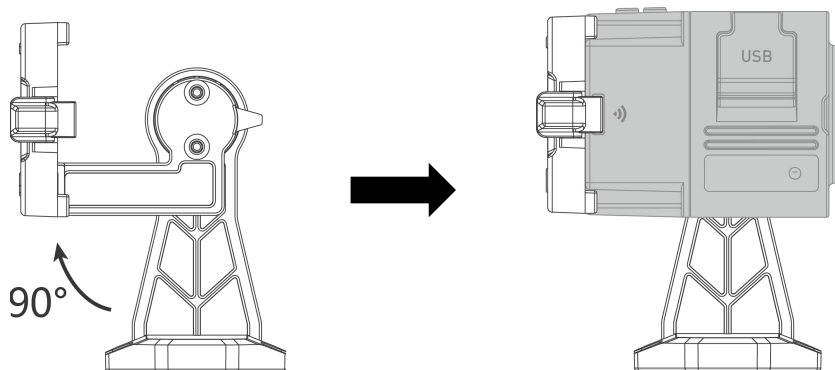
4.3. Installing the Magnetic Thermal Shield

Align the magnetic thermal shield with the emitting surface of the fixture, slide it down along four sides of the fixture until it attaches securely in place.



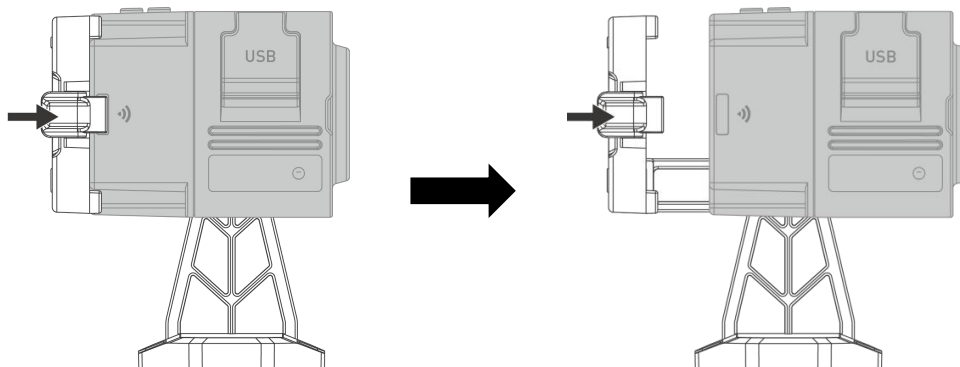
4.4. Installing and Detaching the Magnetic Yoke

Installation:



Rotate the magnetic yoke to 90°, then align the yoke's latches with the slots at the bottom of the fixture. When it is close to the fixture, it will attach automatically to complete the installation.

Detachment:

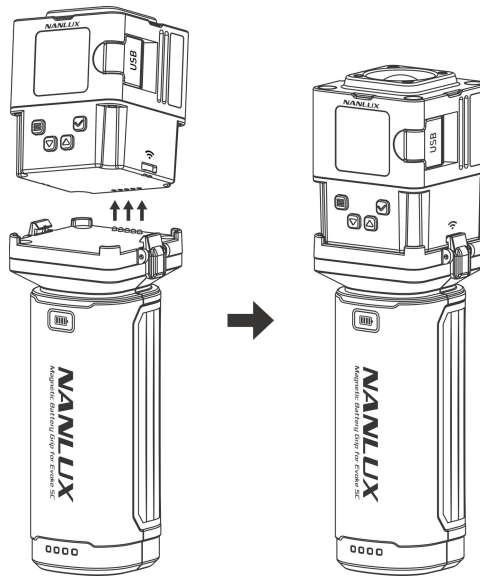


Press and hold the lock catches on both sides of the magnetic yoke, then pull the yoke out.

▲ Note: The magnetic yoke is included in the standard kit.

4.5. Installing and Detaching the Magnetic Battery Grip

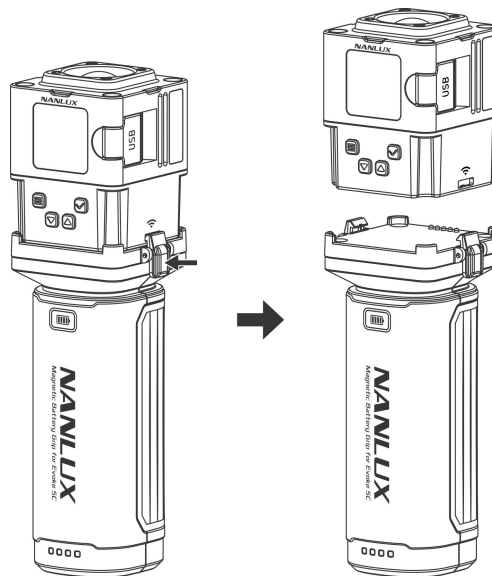
Installation:



Align the battery grip's latches with the slots at the bottom of the fixture. When it is close to the fixture, it will attach automatically to complete the installation.

▲ Note: Ensure the electronic contacts on the battery grip are aligned with those on the bottom of the fixture.

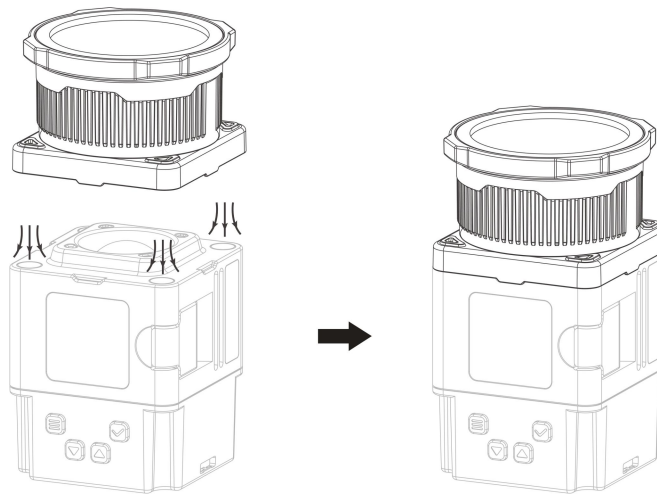
Detachment:



Press and hold the lock catches on both sides of the battery grip, then pull the grip out.

▲ Note: The magnetic battery grip is included in the Evoke 5C KIT.

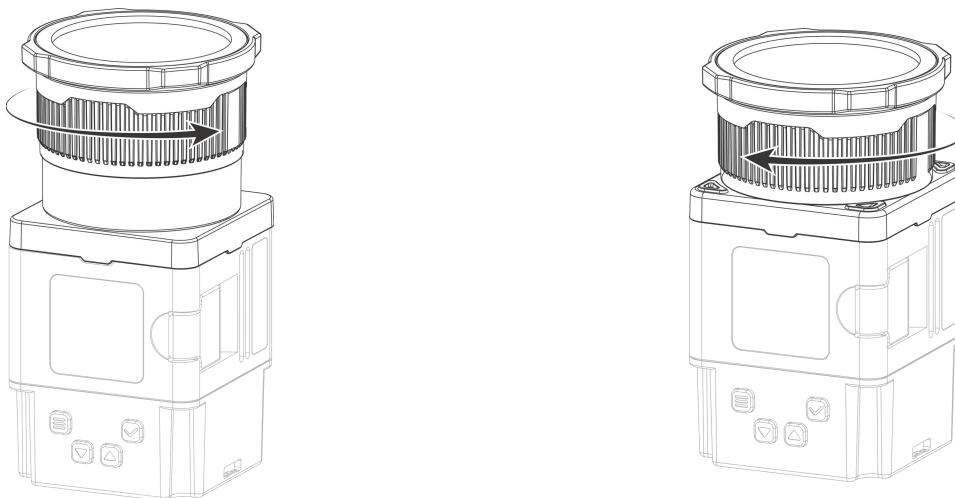
4.6. Installing the Magnetic Fresnel Lens



Align the magnetic Fresnel lens with the emitting surface of the fixture. When it is close to the fixture, it will attach to complete the installation.

▲Note: The magnetic Fresnel lens is included in the Evoke 5C KIT.

4.7. Magnetic Fresnel Lens Usage



Rotate the zoom ring anticlockwise to produce a spotlight effect.

Rotate the zoom ring clockwise to produce a floodlight effect.

5. Operating Instructions

5.1. Turning On/Off

Long press the **Mode** and **Confirm** buttons simultaneously for 3s to turn the fixture on or off.

The control panel includes **Mode, Confirm, Up, and Down** buttons.



5.2. Lighting Mode Control

This fixture has CCT, HSI, RGBW, XY, Gel, and Effect modes.

5.2.1. Control Panel Control

(1) Mode Selection

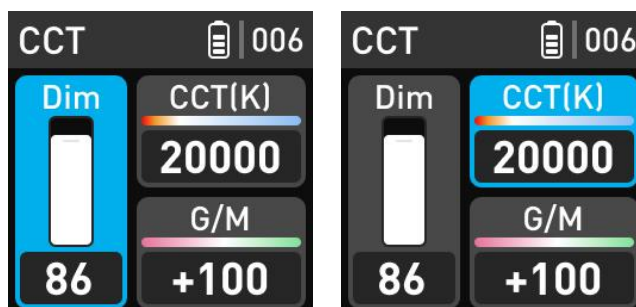
Press the **Mode** button to enter the mode selection interface, where the currently selected mode will be highlighted. Press the **Up** or **Down** buttons to toggle between options, and press the **Confirm** button to enter the corresponding mode.



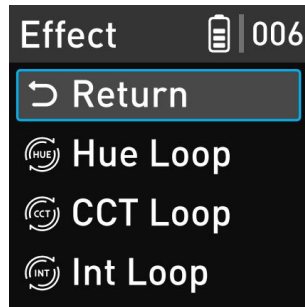
▲ Note: In the mode interface, press the **Mode** button to return to the mode selection interface.

(2) Mode Operation

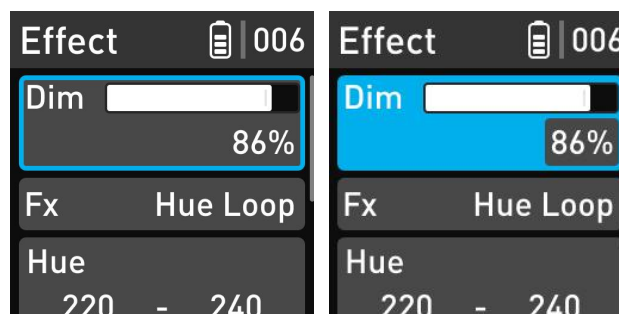
① In the CCT, HSI, RGBW, XY, and Gel modes, press the **Up** or **Down** buttons to select a parameter. Press the **Confirm** button to confirm the selection (highlighted indicates selected). Press the **Up** or **Down** buttons to adjust the parameter, and press the **Confirm** button again to deselect and complete the setting.



② In the Effect mode, press the **Down button** to select an effect, then press the **Confirm button** to enter the parameter adjustment interface.



Press the **Up** or **Down buttons** to select a parameter. Press the **Confirm button** to confirm the selection (highlighted indicates selected). Press the **Up** or **Down buttons** to adjust the parameter, and press the **Confirm button** again to deselect and complete the setting.



5.2.2. DMX Control

(1) DMX Connection

① Connect the fixture to the DMX console via a DMX adapter cable

A 5-pin shielded cable with a diameter of no less than 0.3mm must be used for connections from fixture to console and between fixtures.

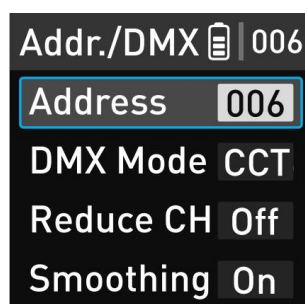
The fixture can be connected to a DMX console with a 5-pin XLR socket via a USB-C to DMX adapter cable. If the DMX console is equipped with a 3-pin XLR socket, an additional adapter will be required.

② DMX Termination Resistor

When connecting fixtures with DMX cables, the DMX out port of the last fixture in the daisy chain must be connected to a DMX termination resistor (not included). This effectively prevents interference during DMX signal transmission.

(2) DMX Settings

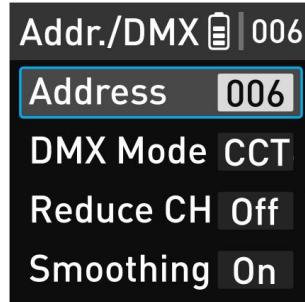
The DMX settings include Address, DMX Mode, Reduce Channels, Smoothing, Dimming Curve and Loss Behavior.



① Address Setting

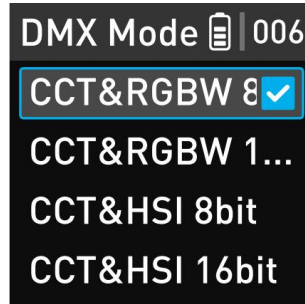
Select the Address in the menu, press the **Confirm button**, press the **Up** or **Down buttons** to adjust the parameters:

Address/DMX → Address



② DMX Mode Setting

Enter the DMX mode interface: Address/DMX → DMX Mode



③ Other DMX Settings

The DMX settings also include Reduce Channels, Smoothing, Dimming Curve and Loss Behavior. The operation methods are as below:

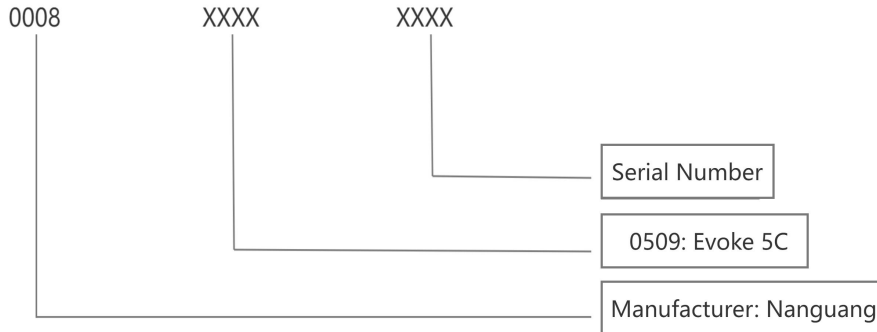
Press the **Up** or **Down buttons** to toggle between DMX settings options, and press the **Confirm button** to enter the level 3 menu. Then press the **Up** or **Down buttons** to select a parameter, and press the **Confirm button** to complete the setting.

After the DMX settings are finished, and the DMX cable is connected, for detailed operations on controlling the fixture with a DMX console, please refer to the DMX CHARTS.

(3) RDM Function

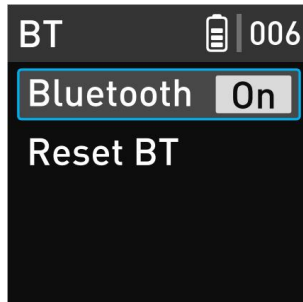
- ① Connect the fixture to a console with RDM function using a connection cable.
- ② Control the fixture using a console with RDM function (For detailed operations, please refer to the console manual).

▲Note: The UID format of fixture is as below.

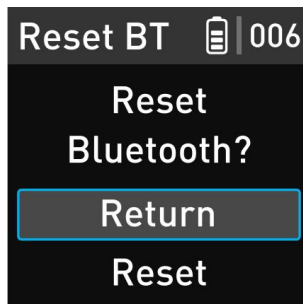


5.2.3. NANLINK APP Control-via Bluetooth

Enter the Bluetooth settings interface: Wireless Control → Bluetooth



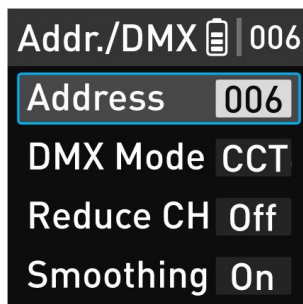
When Bluetooth is turned on, the Reset Bluetooth option appears on the interface, making it possible to reset Bluetooth.



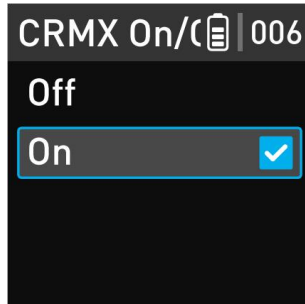
5.2.4. CRMX Control

The magnetic CRMX module should be attached before using the CRMX function.

(1) Set the address and DMX settings before CRMX control: Menu → Address/DMX



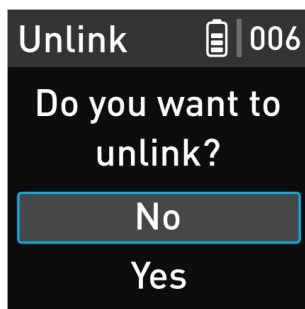
(2) Turn on the CRMX: Menu → Wireless Control → CRMX Settings → CRMX On/Off



The CRMX wireless signal can be received when the CRMX is turned on.

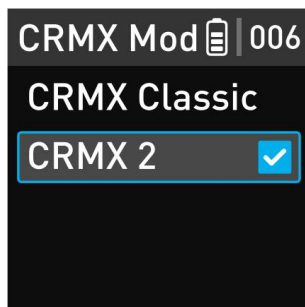
The CRMX wireless signal can't be received when the CRMX is turned off.

(3) Unlink the fixture that needs to receive the CRMX wireless signal: CRMX Settings → Unlink



▲ Note: The CRMX settings should be set to unlink to allow the fixture to be reconnected to a new fixture or transmitter.

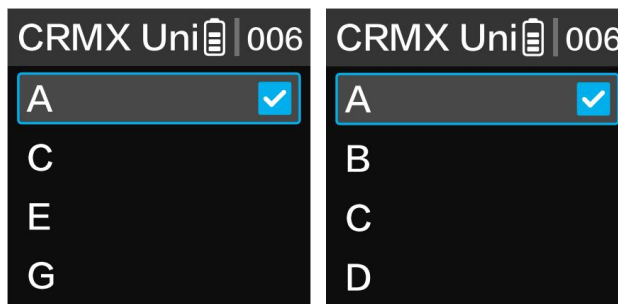
(4) Set the CRMX mode to CRMX Classic or CRMX 2: CRMX Settings → CRMX Mode



(5) Set the CRMX universe: CRMX Settings → CRMX Universe

In the CRMX Classic mode, there are A, C, E, G options.

In the CRMX 2 mode, there are A, B, C, D, E, F, G, H options.



▲ Note: The CRMX mode and CRMX universe should be set the same on both the transmitter and receiver fixtures.

(6) Link the fixture in receiver mode to a transmitter, there are two pairing methods:

① Manual Pairing

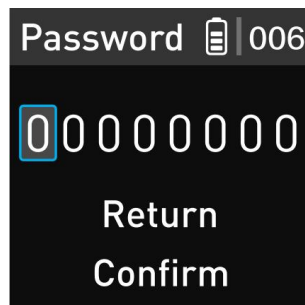
If the Linking Key is the default password (00000000), perform the linking operation on the transmitter to connect the fixture.

② Pairing via Password

Set the linking key password: CRMX Settings → Linking Key

The linking key consists of eight digits. The default value is "00000000", and each digit can be set from 0 to 9.

▲ Note: The Linking Key should meet the transmitter's requirements; some devices require at least 5 digits.



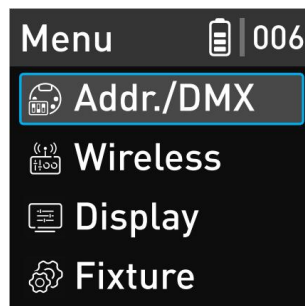
After the linking key password is set, the fixture will automatically detect all available devices and pair with those having the same CRMX mode, CRMX universe, and linking key.

▲ Note: If the fixture in receiver mode detects multiple transmitters with the same settings, it will pair with one of them at random.

5.3. Menu

5.3.1. Menu Overview

In the menu, there are options including Address/DMX, Wireless Control, Display Settings, Fixture Settings, and Language.

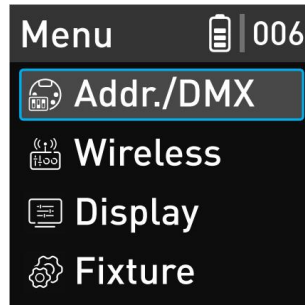


Level 1	Level 2	Level 3
Address/DMX	Address	/
	DMX Mode	

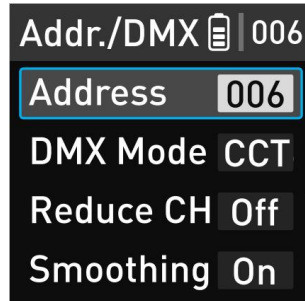
Level 1	Level 2	Level 3
	Reduce Channels	
	Smoothing	
	Dimming Curve	
	Loss Behavior	
Wireless Control	Bluetooth Settings	Bluetooth On/Off
		Reset Bluetooth
	CRMX Settings	CRMX On/Off
		CRMX Mode
		CRMX Universe
		Linking Key
	Unlink	
All Wireless On/Off	/	
Display Setting	Screen Brightness	
	Rotate Screen	
	Screen Off	
Fixture Settings	Firmware Update	
	Battery Grip (Only available when the Magnetic Battery Grip is attached)	
	CRMX Module (Only available when the Magnetic CRMX Module is attached)	
	Reset All Settings	
	Fixture Info	
Language	/	/

5.3.2. Menu Operation

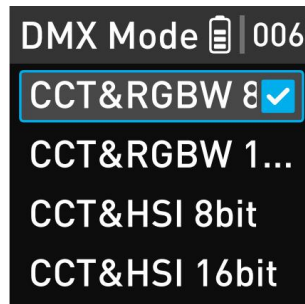
In the menu selection interface, press the **Up** or **Down buttons** to select an option, and press the **Confirm button** to enter the settings interface.



Press the **Up** or **Down buttons** to select the parameter to be set, and press the **Confirm button** to select the parameter (highlighted indicates selected). Press the **Up** or **Down buttons** to adjust the parameter value, and press the **Confirm button** again to deselect and complete the setting.



If selecting a parameter and pressing the **Confirm button** leads to a submenu or popup, select the option to be set and press the **Confirm button** to complete the setting and return to the previous menu. In level 2 or level 3 menus, press the **Mode button** to return to the previous menu.



5.3.3. Others

(1) Firmware Update

Put the firmware files into the root directory of the USB drive (ensure the versions of the firmware files are the same), and insert the USB drive to the USB-C port, enter the Menu → Fixture Settings → Firmware Update, the system will automatically search for the firmware files.

▲Note: ① Please do not rename the firmware files.

② Ensure the USB drive is formatted to FAT, FAT32 or exFAT.

③ If the instruction "No firmware found, press MODE to return" is displayed, please check whether the

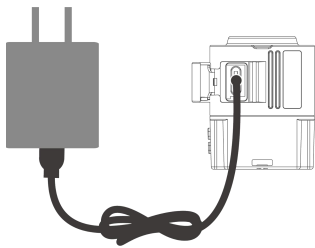
firmware files are correct, whether they are stored in the root directory of the USB drive, and whether the USB drive is formatted as FAT, FAT32 or exFAT.

- ④ If all the above steps have been completed and the firmware files still cannot be found, please format the USB drive again.
- ⑤ If the fixture still cannot recognize the USB drive, please replace the USB drive.

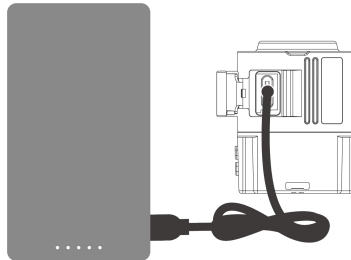
5.4. Charging Instructions

- (1) The fixture has a built-in lithium battery and can be used directly after charging.
- (2) The fixture can be powered by a USB-C adapter or power bank (5V/2A or higher).
- (3) The fixture can be powered by a battery grip.

▲ Note: The adapter and power bank are not included.



Connect with USB adapter



Connect with power bank



Connect with battery grip

5.5. NFC Function

The fixture has a built-in NFC function, allowing it to quickly pair with NFC-enabled devices (with the Nanlink App downloaded), enabling adjustments to DMX control parameters.

6. Troubleshooting for Common Issues

Issues	Troubleshooting Guide
The fixture can't power up.	<ol style="list-style-type: none"> 1. Please check whether the built-in battery is charged. 2. Please check whether the connections between the cable, fixture, and power outlet are loose. 3. Please check whether the power source voltage and frequency is within the specified range.
The fixture can be operated manually, but DMX control is not working.	<ol style="list-style-type: none"> 1. Please check whether the DMX address setting is correct. 2. Please check whether the DMX adapter cable is connected correctly and without damage.

Please scan the QR code for more details.



【DMX Charts】




【Nanlux Website】



【Nanlink App】

WWW.NANLUX.COM

NANLUX

 +86-754-85751187

 info@nanlux.com

 Dongli Section, Highway 324, Chenghai, Shantou City, Guangdong Province, China