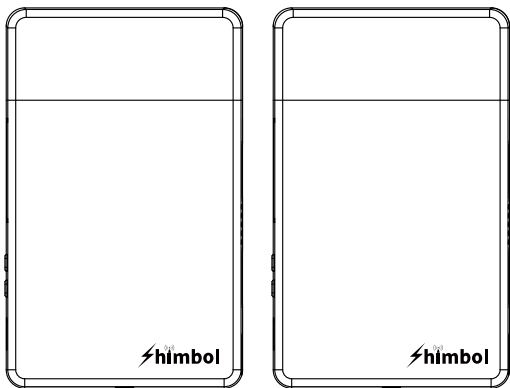




Wireless Video Transmission System Zolink series

Item Model: ZO500



Manual

Shenzhen ZO Video Technology Co., Ltd.

01/Features



Transmit Range



Built-in antenna



Latency



Ultra-low-power



Multiple monitoring

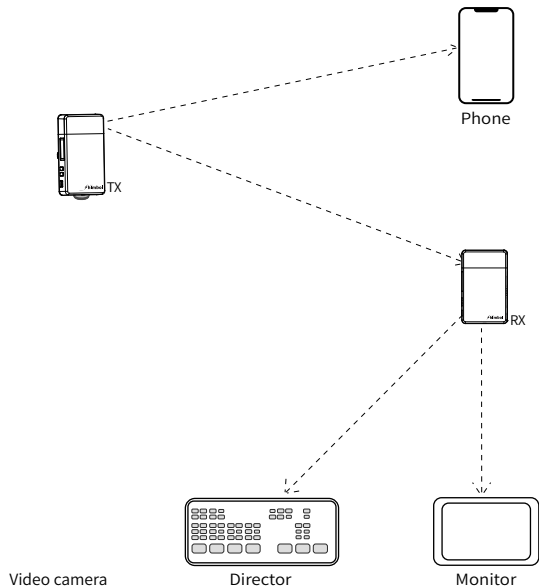


Multiple power supply

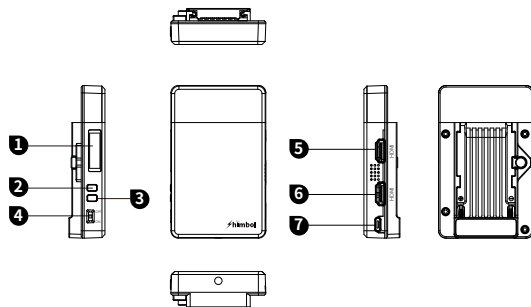
02/Packing list

- 1 Transmitter*1
- 2 Receiver*1
- 3 User Manual*1
- 4 Type-c power cable*1

03/How to use



04/Product Description



1 OLED Display screen

2 Direction button

3 Menu button

4 Power switch

5 HDMI Output(TX/RX)

6 HDMI Input(TX)/ Output(RX)

7 USB-C Port

A Please press button # 2 and # 3 at the same time for 5 seconds to enter the U disk upgrade mode

B Please press button # 3 key for 3 seconds to enter the main menu interface for function setting

C Please press button #2 for 3 seconds to display QR code on the connected monitoring device with HDMI, and kindly use APP to scan it, then go to monitor extremely fast on your connected mobile phone

05/Technical Parameters



	Transmitter	Receiver
Interface	HDMI Input/HDMI Output	HDMI Output*2
Powered By	5V Type-C/NP-F Battery	5V Type-C/NP-F Battery
Power consumption	<3W	<2.5W
HDMI Input	720P@50/60Hz 1080I@50/60Hz 1080P@24/25/30/50/60Hz	/
HDMI Output	720P@50/60Hz 1080I@50/60Hz 1080P@24/25/30/50/60Hz	720P@50/60Hz 1080I@50/60Hz 1080P@24/25/30/50/60Hz
Weight	120g	120g
Size	103*63.5*16mm	103*63.5*16mm
Transmission frequency band	5GHz	
Transmit power	17dBm	
Transmission delay	80ms, Noisy RF environment 120ms typical	
Receiving sensitivity	-80dBm	

Download “shimbol” APP on Apple App Store.



W52 Band :5GHz product for indoor use only

Tel:+86 0755-21004986

URL:www.zeroone-video.com

Address:2C, 2nd Floor, Building 6, Longbi Industrial Park
No.27 Dafa Road, Bantian Street, Longgang District, Shenzhen
Shenzhen ZO Video Technology Co., Ltd.