

HPRC PKT2400-01



- 1 Camera Blackmagic Pocket 4K
- 2 Batteries
- 3 Wise Portable 512 GB
- 4 HPRC1100Mem
- 5 30W Power Supply with international adapters
- 6 International adapters
- 7 Lens: Olympus M. Zuiko Digital ED 12-40mm F28 Pro

TECHNICAL FEATURES

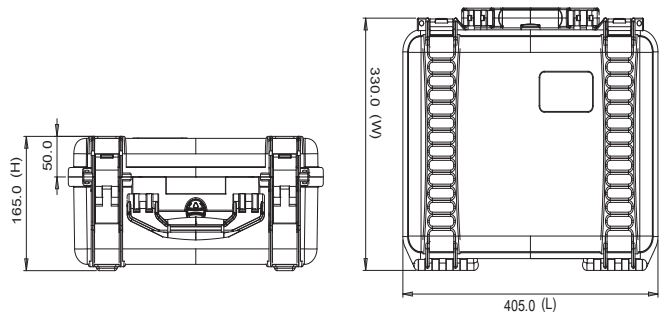
Dimension:
 internal dimension
 380x266x152(mm) - 14.96x10.47x5.98(in)
 external dimension
 405x330x170(mm) - 15.94x12.99x6.69(in)

Weight:
 2,38kg - 5.25lbs

Temperature rating:
 Minimum Maximum
 -40°C -40°F +80°C +176°F



TECHNICAL DRAWING



HPRC

Plaber s.r.l. - HPRC cases

Via Div Tridentina, 10
 I-36061 Bassano del Grappa
 Vicenza - Italy

Tel +39 0424 809150
 Fax +39 0424 808548

HPRC USA

240 Anderson Avenue
 07074 Moonachie
 New Jersey - Usa

Tel +1 201 617 2010
 Fax +1 201 617 2001

www.hprc.it
 E: info@hprc.it



APPROVALS
 ATA 300
 IP67
 STANAG 4280
 DS 81-41

TEST
 DROP
 IMPACT
 HANDLE
 WATERTIGHT INTEGRITY
 UV COLOR AND MATERIAL
 PROTECTION

