

NUCLEUS-N III

WIRELESS LENS CONTROL SYSTEM



TILTA



NEW TORQUE DESIGN

5 Times the Torque of Nucleus N.
Auto-Adjustable Torque Design.
High-Efficiency Cooling System.



PRO GEAR WITHIN REACH
CAMERA CONTROL, GIMBAL CONTROL
AND MOTOR CONTROL, ALL IN ONE

Convenient Control for Key Settings



INTERACTIVE TOUCH SCREEN

Easy Access with One Touch





7 HOURS

HIGH POWER OUTPUT

Smart Electronic Control.
Long Lasting Power.



ONE FOR ALL

Compatible with other Tilta Wireless Control Systems



PERFECT COMPANION FOR DJI GIMBALS

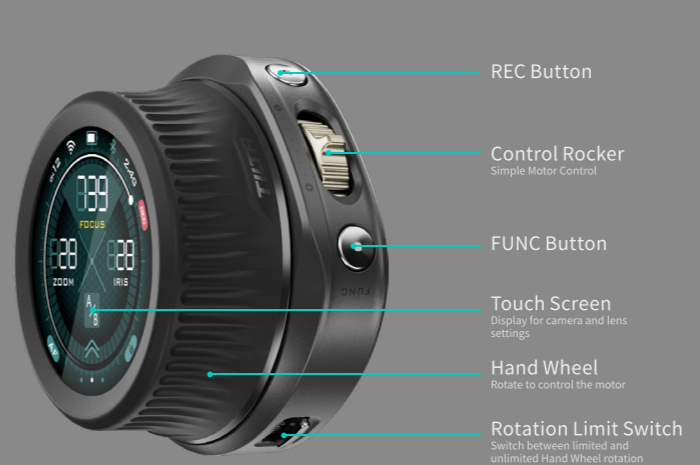
Compatible with DJI RS 2 and RS 3 Pro gimbals.
Supports efficient control and communication.



MULTI-CHANNEL COMMUNICATION

Multi-Channel Communication for Infinite Potential

- Blue: Zoom
- Purple: Focus
- Green: Iris
- Yellow: No. 4 Backup Motor



REC Button

Control Rocker
Simple Motor Control

FUNC Button

Touch Screen
Display for camera and lens settings

Hand Wheel
Rotate to control the motor

Rotation Limit Switch
Switch between limited and unlimited Hand Wheel rotation



Cold Shoe Receiver

Display

Joystick

Record Button

Menu Button

1/4" -20 Thread with Locating Points

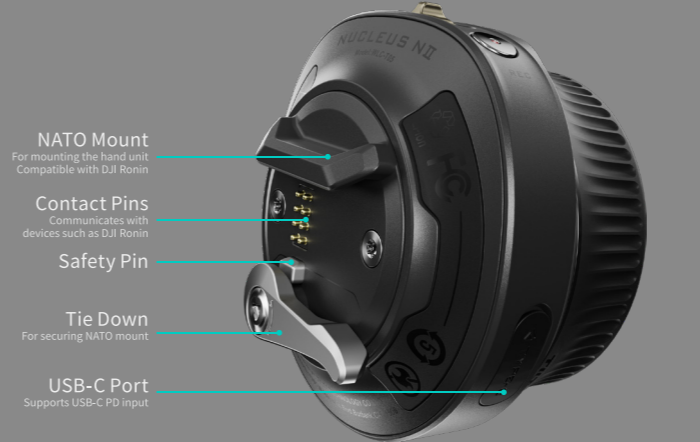
Switch between limited and unlimited Hand Wheel rotation

Rotation Limit Switch

NATO Module
Use the contact pins to link with DJI Ronin. Removable and flexible mounting.

Power Button

Strap Holder



NATO Mount
For mounting the hand unit
Compatible with DJI Ronin

Contact Pins
Communicates with devices such as DJI Ronin

Safety Pin

Tie Down
For securing NATO mount

USB-C Port
Supports USB-C PD input



Trigger

Front Dial

Side Cover
Interchangeable with NATO module

USB-C Port
Supports USB-C PD input & output

Battery Cover



0.8 Lens Gear

LED Indicator
Purple: Focus
Green: Iris
Blue: Zoom
Yellow: No.4 Backup Motor

Motor Driver

USB-C Port ②
Supports USB-C PD input. Achieves maximum torque. Supports camera communication.

Pairing Button
Single press to pair the motor

USB-C Port ①
Supports USB-C PD input. Achieves maximum torque.

15mm Rod Holder
For mounting via a 15mm rod

Tie Down
For securing the motor

@TILTA_GLOBAL

@TILTAGLOBAL

SALES@TILTA.COM

@TILTA

@TILTAMAX

@TILTA



www.tilta.com