

BOOMPOLE

Telescopic Microphone Extension System

RØDE[®]
MICROPHONES



Features

The RØDE Boompole is a high grade professional boom pole for location recording, machined from high grade aluminium. The boom pole allows you to mount your microphone securely and swivel it in a range of directions that will allow you to easily change positions and follow your sound source.

- lightweight aluminium construction
- new ultra smooth extension and retraction system
- easy to use locking mechanism
- precision balanced

Specifications

Weight	950g
Length (closed)	855mm
Length (extended)	3232.5mm
Thread	3/8"

www.rodemic.com

Australia
107 Carnarvon st, Silverwater NSW 2128 Australia
Ph: +61 2 9648 5855 Fx: +61 2 9648 2455

USA
6383 B Rose Lane, Carpinteria CA 93013 USA
Ph: +1 805 566 7777 Fx: +1 805 566 0071

The **RØDE** BoomPole is designed to complement the extensive range of **RØDE** Video, Broadcast and Electronic News Gathering (ENG) microphones and accessories.

Made from lightweight high-strength black anodized Aluminium, the BoomPole's telescopic sections allow infinite adjustment from 0.84m (33") to 3.28m (10' 9 1/8") on the standard BoomPole or 0.84m (33") to 2.05m (81") on the Mini BoomPole. The quick release friction rings enable fast and secure adjustment of the individual tubes for precise positioning and application flexibility.

To enhance user grip and aid mobility the bottom section of the BoomPole is covered with an expanded foam rubber tube that can be easily removed or replaced. The BoomPole comes supplied with an industry standard 3/8" x 16 tpi threaded insert allowing a wide selection of accessories to be securely attached. When used in conjunction with the **RØDE** 5/8" to 3/8" thread adaptor the full range of **RØDE** accessories can be interchanged at will.

Designed in Australia, the BoomPole is the perfect addition to complement the flexibility and utility of **RØDE**'s extensive range of Video and Broadcast microphones.

Features

- Telescopic construction, reduces to 0.84 meters in length for storage and transport.
- Quickly extends to: Standard >3.2 metres (10' 9 1/8")
Mini > 2.05 metres (6' 9")
- Lightweight and ergonomically balanced for easy handling during mobile recording.
- Suites all standard 3/8" mic clips.
- Robust design suitable for rough use.

Additional RØDE Products and Accessories

• NTG-1

Directional condenser microphone



• NTG-2

Dual-power directional condenser microphone



• VideoMic

DV Cam directional condenser microphone



• Stereo VideoMic (SVM)

Coming soon...

• NT3

Studio & location Multi Powered
3/4" Condenser Microphone.

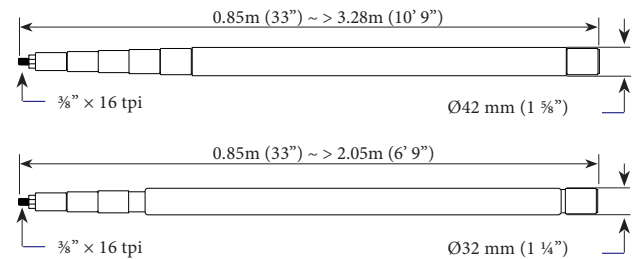


• NT4

True X/Y Stereo Studio and location Multi-powered
3/4" Condenser Microphone.



Dimensions



• NT5-S

1/2" Cardioid Condenser Microphone.



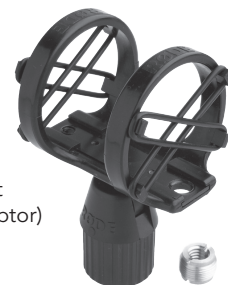
• SM3

Suspension Shock Mount
- (Cold Shoe Adaptor)



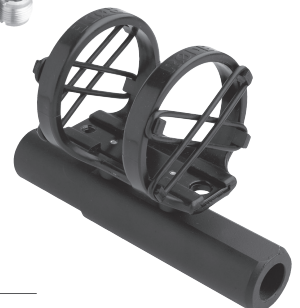
• SM4

Suspension Shock Mount
- (Stand Adaptor)



• SM5 *

Suspension Shock Mount
- (Clamp Adaptor)
*Not BoomPole compatible



Contact Details

International:

RØDE Microphones

107 Carnarvon Street, Silverwater N.S.W, 2128 Australia.

P.O. Box 6685, Silverwater N.S.W, 2128 Australia.

Ph: 61 2 9648-5855 Fax: 61 2 9648-2455

USA:

RØDE Microphones

P.O. Box 4189, Santa Barbara, CA 93140-4189

Ph: 805-566-7777 (Toll free within the U.S.)

Fax: 805-566-0071