

Blackmagic Cloud Store Max 48TB



Blackmagic Cloud Store Max 48TB is an extremely high performance flash storage solution in a compact 1RU design. Cloud Store Max features 48TB capacity 12 card RAID 0 flash memory core, 4 x 10G Ethernet, 100G Ethernet, QSFP connection for high speed copper cables or longer optical fiber cables, USB-C and Blackmagic Cloud sync for distributing files globally. It's fast, even with lots of simultaneous users all accessing files at the same time!

\$18,015

Connections

10G Ethernet Ports

4 x RJ45 Ethernet 100/1000/10G BASE-T

USB-C Port

1 x USB 3.0 (up to 5Gb/s).
Supports Ethernet Over USB

HDMI Monitor Outputs

1

100G Ethernet Ports

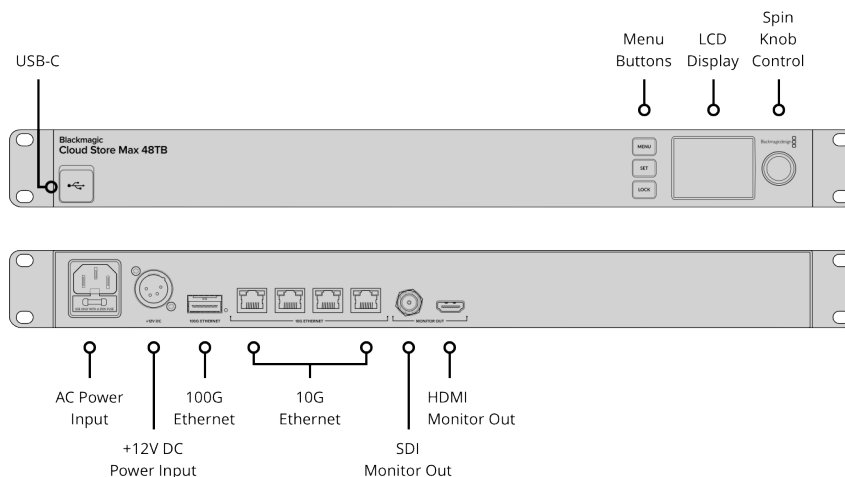
1 x QSFP28 Ethernet 100G BASE-T
[Please click here to view supported QSFP28 modules.](#)

SDI Monitor Outputs

1

Computer Interface

USB-C or Ethernet for shared file access, configuration and software updates.



File Sharing Protocol

Protocol

NFS
SMB

Computer Connections

200 max.

Cloud Synchronization



Blackmagic Cloud

[Learn More](#)



Amazon Web Services S3 sync.

Storage

Storage Type

M.2 NVMe SSD

Total Capacity

48TB

Displays

SDI Monitor Out Standards

1080p50, 1080p59.94, 1080p60

HDMI Monitor Out Standards

1080p50, 1080p59.94, 1080p60

Monitor Out Displays

Device Name, storage capacity and use, Cloud Sync status, User Activity, Hardware Status, storage map, network data rate graph.

Front Panel Display

Built in 2.2 inch LCD for settings and storage name, capacity and use.

Status Indicator

Front panel LED illuminates white indicating normal operation or red indicating disk fault.

Control

Built in Control Panel

3 buttons, 2.2 inch color display and spin knob for menu settings.

External Control

USB-C or Ethernet for configuration and software updates.

Software

Software Included

Blackmagic Cloud Setup Utility

Blackmagic Proxy Generator Lite

Internal software upgrade via Blackmagic Cloud Setup using USB-C port.

Operating Systems



Mac 15.0 Sequoia,
Mac 26.0 Tahoe or later.



Windows 10, 64-bit.
Windows 11.

Power Requirements

Power Supply

Internal 100 - 240V AC 50/60Hz with IEC C14 mains input.

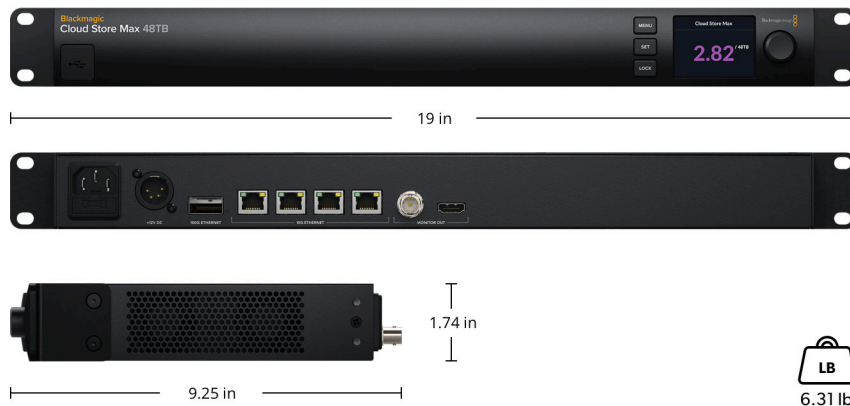
Power Inputs

1 x IEC C14 mains input.
1 x 4-pin XLR +12V DC input.

Power Usage

150 W

Physical Specifications



Environmental Specifications

Operating Temperature

0° to 40° C (32° to 104° F)

Storage Temperature

-20° to 60° C (-4° to 140° F)

Relative Humidity

0% to 90% non-condensing

What's Included

Blackmagic Cloud Store Max 48TB
Welcome wallet with QR code for software download

Warranty

1 Year Limited Manufacturer's Warranty.

All items on this website are copyright Blackmagic Design Pty. Ltd. 2026, all rights reserved. All trademarks are property of their respective owners. MSRP includes duties, but excludes sales tax and shipping costs. This website uses remarketing services to advertise on third party websites to previous visitors to our site. You can opt out at any time by changing cookie settings. [Privacy Policy](#)

Blackmagic Design Authorized Reseller