

# Canon

## KJ20x8.2B KRSD



**INNOVATION**

In TV Optics Since 1958

Toward 100 years anniversary

**HDGC**

# KJ20x8.2B KRSD

## Clear. Quick. Quiet.

### Superior Performance and Easy Operation

As HD camera equipment continues to spread to all facets of professional video production, Canon has been expanding its HDgc lineup of cost-effective lenses for advanced professionals. To help meet this increasing demand for affordable high-quality HD ENG lenses, Canon is proud to introduce the KJ20x8.2B KRSD, achieving outstanding optical performance with a light weight of 1.25 kg and wider-angle focal length of 8.2mm.

Offering excellent operational mobility and outstanding optical performance, the KJ20x8.2B KRSD is ideal for wedding, corporate, and educational videographers, and will also play a vital role in broadcast news productions, which require an exacting level of performance. The KJ20x8.2B KRSD will help maximize your talents and deliver high-caliber production value to your projects.



## Main Features

### Outstanding Optical Performance

The KJ20x8.2B KRSD produces innovative performance with Canon's superb optical technology, Extraordinary Dispersion Glass (which is used in Canon's state-of-the-art Field/Studio box-type lenses), and other unique optical materials and coatings.

Chromatic aberration is suppressed across the entire lens surface, enabling sharp images with minimal distortion at any object distance. An optimal balance of resolution and contrast in peripheral areas of the image enables you to realize sharp and clear pictures. Canon's unique Multilayer optical coatings will effectively reduce ghost and flares from the sun, headlights, or other bright light sources.

### Newly Developed Advanced Drive Unit

A newly-designed drive unit enables higher zoom speed—as little as one second of end-to-end zooming—ensuring that professional cameramen will never miss the shot during field production. The lens also provides steady, smooth operation in super-slow zooming.

Another advantage is quiet servo-operation, thanks to its optimum servo-motor construction, which also achieves faster zoom speed. This lens has been engineered (using 3D-CAD simulation) to eliminate servo-motor noise issues, enabling cameramen to zoom quickly and quietly to capture the moment.

The lens also features Canon's renowned ergonomically-designed Drive Unit to offer an easy-to-grip, operator-friendly use.

Also convenient is Shuttle Shot (see right page), a function which enables camera operators to pre-store zoom positions for instant recall on demand. Simple by design,\* Shuttle Shot makes camera operation more reliable, supporting pinpoint zooming and ease of repetition.

\*Simply press a dedicated button to store desired Shuttle Shot zoom positions.

### 20x Zoom



164mm

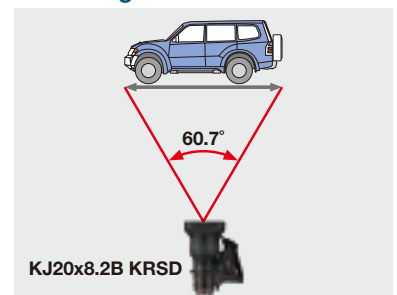
Faster zoom speed max.  
1sec.



8.2mm

Maximum zoom speed 1sec. from wide end to tele end.

### Wider angle 8.2mm



KJ20x8.2B KRSD

Wider focal length 8.2mm with horizontal 60.7° (16 : 9)



# Additional Features

## Optical Performance

### HDTV Exceptional Optical Performance

- High MTF well controlled across image plane
- Reduced Chromatic Aberrations
- Effective countermeasures that significantly lower Ghosting and Flares

**Minimum Focal Length of 8.2mm at Wide End**

**Widest angle of view within Canon's affordable 20x class**



**Enhanced Macro Function**  
Facilitates an effective M.O.D of 10mm (from lens front)

**Broad Range of Focal Length 8.2mm-164mm**

**Short M.O.D. 0.9m**

## Servo & Mechanical Performance



### Memo Switch

Switch that sets zoom positions for the Shuttle Shot function.

**Maximum Zoom Speed 1.0sec.**  
from wide end to tele end.

**Lightweight Design**  
1.25kg(2.76lbs)

### New Ergonomic Drive Unit

The new ergonomically designed Drive Unit has been minimized in size and physically tilted to afford a comfortable grip and an improved balance. Overall, this significantly enhances the operator's tactile connection with the lens.



**Shuttle Shot Switch**

### Ribbed Surface

The ribbed surface on the bottom of the drive unit ensures a firmer grip and better overall operational control.

### Grip Support

Allows a user to securely grip the drive unit without inadvertently pressing on the VTR or Shuttle Shot buttons.

## Shuttle Shot Technology



Shuttle Shot is a Canon Exclusive Technology that enhances production capabilities. At the touch of a button, this feature allows the operator to zoom back and forth instantly between any two positions. It can be used to zoom to the telephoto position to check focus and then return instantly to the original position or you can "shuttle" between any two-zoom positions at any time.



Starting Point



Frame 1



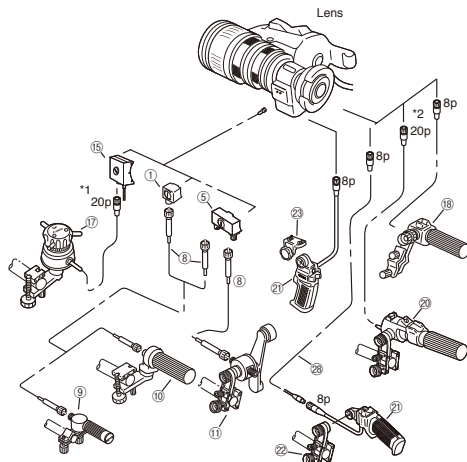
Frame 2

## SPECIFICATIONS

### KJ20x8.2B KRSD

	16:9	4:3
Image Size	2/3"	
Zoom Ratio	20x	
Range of Focal Length	8.2-164mm	
Maximum Relative Aperture	1:1.9 at 8.2-115.4mm 1:2.7 at 164mm	
Angular Field of View	60.7°×36.5° at 8.2mm 3.4°×1.9° at 164mm	56.4°×43.8° at 8.2mm 3.1°×2.3° at 164mm
Minimum Object Distance (M.O.D.)	0.9m (10mm with Macro)	
Object Dimensions at M.O.D.	98.2×55.2cm at 8.2mm 5.0×2.8cm at 164mm	90.1×67.6cm at 8.2mm 4.6×3.5cm at 164mm
Approx. Size	W×H×L = 163.3×103.0×181.8 mm	
Approx. Mass	1.25kg (2.76lbs)	
Thread for Filters	φ 82mm P0.75	

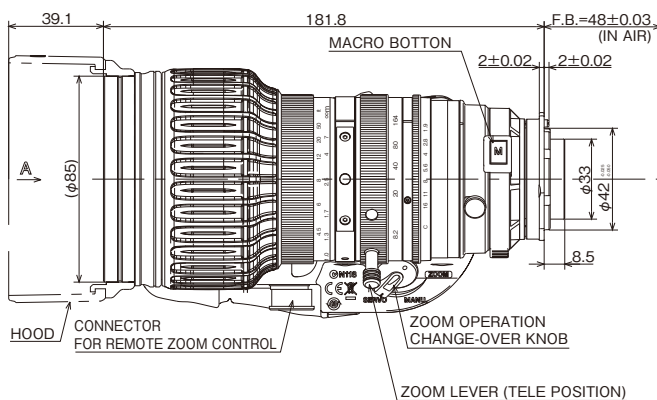
## LENS CONTROLLERS



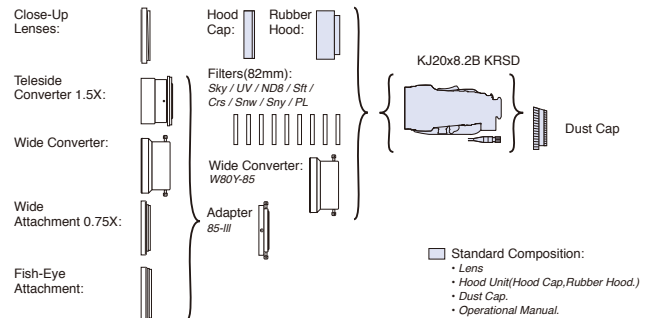
#	Unit	Description	#	Unit	Description
①	FM-12	Flex Focus Module	⑱	ZSD-15M II	Zoom Demand
⑤	FM-70	Flex Dual Module	⑳	ZSD-300D	Zoom Demand
⑧	FC-40	Flex Cable	㉑	ZSG-200M	Zoom Servo Grip
⑨	FFC-15	Flex Focus Controller	㉒	CR-10	Clamper
⑩	FFC-200	Flex Focus Controller	㉓	GA-70	Grip Adapter
⑪	FZC-100	Flex Zoom Controller	㉔	EC-80	Zoom Extension Cable (8P)
⑮	FPM-77	Focus Positional Servo Module	㉕	CC-0620	Conv. Cable (6pM-20pF)
⑰	FPD-400D	Focus Positional Demand	㉖	CC-0820	Conv. Cable (8pM-20pF)

\*1 ㉕ CC-0620 conversion cable is necessary to connect between FPM-77 and FPD-400D.  
\*2 ㉖ CC-0820 conversion cable is necessary to connect between KJ20x8.2B KRSD and ZSD-300D.

## DIMENSIONS



## OPTICAL ACCESSORIES



### FILTERS

TYPE	MODEL	TYPE	MODEL
Close-Up Lens	82CL-UP800H	Ultra Violet	UV/82P0.75
	82CL-UP1300H	Sky Light	SKY/82P0.75
Tele-side Converter	T15-II	Cross Screen	CRS/82P0.75
	T15HD-II *1	Snow Cross	SNW/82P0.75
Wide Converter	W80Y-85	Sunny Cross	SNY/82P0.75
	W80-IIIIB	Polarized Light	PL/82P0.75
	W80HD *1	Softon	SFT/82P0.75
Wide Attachment	WA75-II	ND4 (25% Transmittance)	ND4/82P0.75
	WA75HD *1	ND8 (12.5% Transmittance)	ND8/82P0.75
Fish-Eye Attachment	FEA-IIIIB		
	FEA-HD *1		
Adapter	Adapter85III		
Extender	X2.0-B4		

\*1 The HD quality accessories offer higher optical performance.  
\*2 The filters are to be attached to front of lens.

### North & South America Canon U.S.A., Inc.

Imaging Technologies & Communications Group  
Broadcast and Communications Sales & Marketing  
Division (Headquarters)  
65 Challenger Road, Ridgely Park, NJ 07660  
Tel: +1(201)807-3300/(800)321-4388  
Fax: +1(201)807-3333  
Email: bctv@usa.canon.com  
http://www.canonbroadcast.com/

### Chicago

100 Park Blvd. Itasca, IL 60143  
Tel: +1(630)250-6236 Fax: +1(630)250-0399

### Atlanta

5625 Oakbrook Pkwy. Norcross, GA 30093  
Tel: +1(770)849-7890 Fax: +1(770)849-7888

### Los Angeles

15955 Alton Parkway Irvine, CA 92618  
Tel: +1(949)753-4330 Fax: +1(949)753-4337

### Dallas

3200 Regent Blvd. Irving, TX 75063  
Tel: +1(972)409-8871 Fax: +1(972)409-8869

### Latin America

Tel & Fax: +1(954)757-0980

### Canada

**Canon Canada, Inc.**  
Broadcast and Communications Div.  
6390 Dixie Road  
Mississauga, Ontario, L5T 1P7, Canada  
Tel: +1(905)795-2012 Fax: +1(905)795-2140

### Europe/Africa/Middle East Canon Europe Ltd

Broadcast products Div.  
3 The Square, Stockley Park  
Uxbridge Middlesex  
United Kingdom UB11 1ET  
Tel: +44 (0)20 8588 8140  
Fax: +44 (0)20 8588 8603  
Email: tvprod@canon-europe.com  
http://www.canon-europe.com/tv-products/

### Australia

**Canon Australia Pty. Ltd.**  
Optical Products Division  
1 Thomas Holt Drive, North Ryde, NSW 2113,  
Australia  
Tel: +61(0)2-9805-2000 Fax: +61(0)2-9805-2444

### China

### Canon (China) Co., Ltd.

Broadcast Equipment Products  
15F Jinbao Building No.89 Jinbao Street  
Dongcheng District, Beijing 100005, China  
Tel: +86-10-8513-9999 Fax: +86-10-8513-9128  
http://www.canon.com.cn

### Canon Hongkong Co., Ltd.

19F The Metropolis Tower, 10 Metropolis Drive,  
Hungghom, Kowloon, Hong Kong  
Tel: +852-2170-2828  
http://www.canon.com.hk

### Asia/Japan

### Canon Inc. (ICP GROUP 5)

30-2, Shimomaruko 3-chome, Ohta-ku, Tokyo  
146-8501, Japan  
Tel: +81(0)3-3757-7453 Fax: +81(0)3-3757-7086  
http://www.canon.com/bctv

### Canon Singapore Pte Ltd.

1 HarbourFront Avenue, #04-01 Keppel Bay Tower,  
Singapore 098632  
Tel: +65-6799-8888  
http://www.canon.com.sg

### Canon Korea Consumer Imaging Inc.

Canon Bldg. 5F, 168-12 Samseong-dong,  
Gangnam-gu, Seoul, 135-090, Korea  
Tel: +82-2-2191-8500  
http://www.canon-ci.co.kr

Specifications subject to change without notice.