

PODMIC

DYNAMIC PODCASTING MICROPHONE

The PodMic is a broadcast-quality dynamic microphone optimised for incredible performance in podcasting, livestreaming, and other speech or vocal applications. Offering a rich, full-bodied sound, with an internal pop filter for minimising plosives, internal shockmount for reducing vibrations, and a swing mount for easy positioning, the PodMic will take your content to the next level.

- Broadcast quality dynamic capsule
- Optimised for speech applications
- Internal pop filter to minimise plosives
- Robust, all metal construction
- Optimised for use with RØDECaster Pro consoles



BROADCAST
QUALITY



INTERNAL
POP FILTER



RUGGED BUILD



2
YEAR
WARRANTY



SPECIFICATIONS

Acoustic Principle:	Dynamic
Polar Pattern:	Cardioid
Frequency Range:	50Hz - 15kHz
Output Impedance:	320Ω
Sensitivity:	-57dBV (1.4mV @ 94dB SPL) +/- 2dB @1kHz
Output Connection:	XLR
Phantom Power:	Not required
Colour:	Black and White
Weight (grams):	937
Product Dimensions (millimetres):	Length: 172 Width: 109 Height: 62
Compatible RØDE Accessories:	PSA1+ DS1 DS2
Features list:	Integrated swing arm



Black



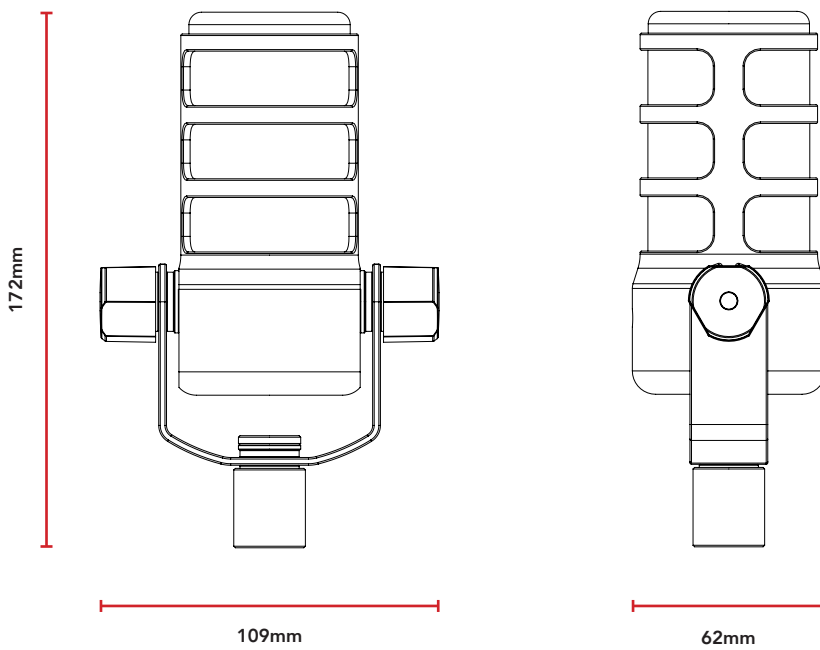
White

WHATS IN THE BOX

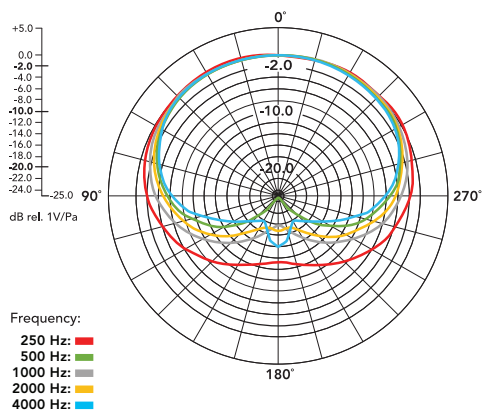


PodMic
(Black or White)

DIMENSIONS



POLAR PATTERN



FREQUENCY RESPONSE

